

**CS150N03 A8****General Description:**

CS150N03 A8, the silicon N-channel Enhanced VDMOSFETs, is obtained by advanced trench Technology which reduce the conduction loss, improve switching performance and enhance the avalanche energy. The transistor can be used in various power switching circuit for system miniaturization and higher efficiency. The package form is TO-220AB, which accords with the RoHS standard.

**Features:**

- I **Fast Switching**
- I **Low ON Resistance**( $R_{dson} \leq 3.5m\Omega$ )
- I **Low Gate Charge** (Typical Data:75nC)
- I **Low Reverse transfer capacitances**(Typical:800pF)
- I **100% Single Pulse avalanche energy Test**

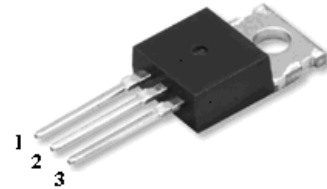
**Applications:**

UPS, Inverter, Lighting.

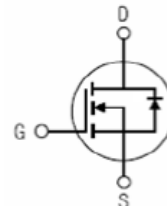
**Absolute** ( $T_c = 25^\circ\text{C}$  unless otherwise specified):

Symbol	Parameter	Rating	Units
$V_{DSS}$	Drain-to-Source Voltage	30	V
$I_D$	Continuous Drain Current	150	A
	Continuous Drain Current $T_c = 100^\circ\text{C}$	120	A
$I_{DM}^{a1}$	Pulsed Drain Current	600	A
$V_{GS}$	Gate-to-Source Voltage	$\pm 20$	V
$E_{AS}^{a2}$	Single Pulse Avalanche Energy	1300	mJ
$dv/dt^{a3}$	Peak Diode Recovery dv/dt	4.0	V/ns
$P_D$	Power Dissipation	100	W
	Derating Factor above $25^\circ\text{C}$	0.67	W/ $^\circ\text{C}$
$T_J, T_{stg}$	Operating Junction and Storage Temperature Range	$-55$ to $175$	$^\circ\text{C}$
$T_L$	Maximum Temperature for Soldering	300	$^\circ\text{C}$

$V_{DSS}$	30	V
$I_D$	150	A
$P_D (T_c=25^\circ\text{C})$	100	W
$R_{DS(ON)Typ}$	2.8	$m\Omega$

**TO-220AB**

1. Gate 2. Drain 3. Source

**Inner Equivalent Principium Chart**



# CS150N03 A8



## Electrical Characteristics (Tc= 25°C unless otherwise specified):

OFF Characteristics						
Symbol	Parameter	Test Conditions	Rating			Units
			Min.	Typ.	Max.	
V <sub>DSS</sub>	Drain to Source Breakdown Voltage	V <sub>GS</sub> =0V, I <sub>D</sub> =250μA	30	--	--	V
ΔV <sub>DSS</sub> /ΔT <sub>J</sub>	vdss Temperature Coefficient	ID=250uA, Reference 25°C	--	0.08	--	V/°C
I <sub>DSS</sub>	Drain to Source Leakage Current	V <sub>DS</sub> = 30V, V <sub>GS</sub> = 0V, T <sub>a</sub> = 25°C	--	--	1	μA
		V <sub>DS</sub> =24V, V <sub>GS</sub> = 0V, T <sub>a</sub> = 125°C	--	--	100	
I <sub>GSS(F)</sub>	Gate to Source Forward Leakage	V <sub>GS</sub> =+20V	--	--	100	nA
I <sub>GSS(R)</sub>	Gate to Source Reverse Leakage	V <sub>GS</sub> =-20V	--	--	-100	nA

ON Characteristics						
Symbol	Parameter	Test Conditions	Rating			Units
			Min.	Typ.	Max.	
R <sub>DS(ON)</sub>	Drain-to-Source On-Resistance	V <sub>GS</sub> =10V, I <sub>D</sub> =50A	--	2.8	3.5	mΩ
		V <sub>GS</sub> =4.5V, I <sub>D</sub> =40A	--	5.0	6.5	mΩ
V <sub>GS(TH)</sub>	Gate Threshold Voltage	V <sub>DS</sub> = V <sub>GS</sub> , I <sub>D</sub> = 250μA	1.0		3.0	V
Pulse width tp≤300μs, δ≤2%						

Dynamic Characteristics						
Symbol	Parameter	Test Conditions	Rating			Units
			Min.	Typ.	Max.	
g <sub>fs</sub>	Forward Trans conductance	V <sub>DS</sub> =10V, I <sub>D</sub> =15A	--	100	--	S
C <sub>iss</sub>	Input Capacitance	V <sub>GS</sub> = 0V V <sub>DS</sub> = 25V f = 1.0MHz	--	10000	--	pF
C <sub>oss</sub>	Output Capacitance		--	940	--	
C <sub>rss</sub>	Reverse Transfer Capacitance		--	800	--	

Resistive Switching Characteristics						
Symbol	Parameter	Test Conditions	Rating			Units
			Min.	Typ.	Max.	
t <sub>d(ON)</sub>	Turn-on Delay Time	I <sub>D</sub> =1A V <sub>DD</sub> = 15V V <sub>GS</sub> = 10V R <sub>G</sub> = 6Ω	--	22	--	ns
t <sub>r</sub>	Rise Time		--	20	--	
t <sub>d(OFF)</sub>	Turn-Off Delay Time		--	145	--	
t <sub>f</sub>	Fall Time		--	74	--	
Q <sub>g</sub>	Total Gate Charge	I <sub>D</sub> =16A V <sub>DD</sub> =15V V <sub>GS</sub> = 10V	--	75		nC
Q <sub>gs</sub>	Gate to Source Charge		--	22	--	
Q <sub>gd</sub>	Gate to Drain ("Miller") Charge		--	28	--	



# CS150N03A8



Source-Drain Diode Characteristics						
Symbol	Parameter	Test Conditions	Rating			Units
			Min.	Typ.	Max.	
$I_S$	Continuous Source Current (Body Diode)		--	--	150	A
$I_{SM}$	Maximum Pulsed Current (Body Diode)		--	--	600	A
$V_{SD}$	Diode Forward Voltage	$I_S=150A, V_{GS}=0V$	--	--	1.5	V
$t_{rr}$	Reverse Recovery Time	$I_S=20, T_j = 25^\circ C$	--	52		ns
$Q_{rr}$	Reverse Recovery Charge	$dI_F/dt=100A/us, V_{GS}=0V$	--	53		nC
Pulse width $t_p \leq 300\mu s, \delta \leq 2\%$						

Symbol	Parameter	Typ.	Units
$R_{\theta JC}$	Junction-to-Case	1.5	$^\circ C/W$
$R_{\theta JA}$	Junction-to-Ambient	62	$^\circ C/W$

<sup>a1</sup>: Repetitive rating; pulse width limited by maximum junction temperature

<sup>a2</sup>:  $L=1.0mH, I_D=53.5A, Start T_j=25^\circ C$

<sup>a3</sup>:  $I_{SD}=20A, di/dt \leq 100A/us, V_{DD} \leq BV_{DS}, Start T_j=25^\circ C$

## Characteristics Curve:

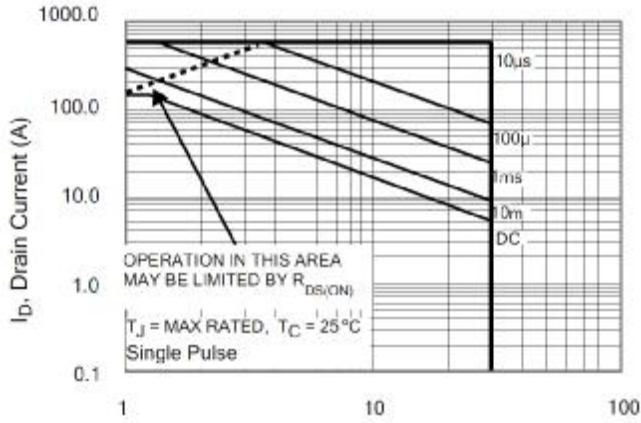


Figure 1 Maximum Forward Bias Safe Operating Area

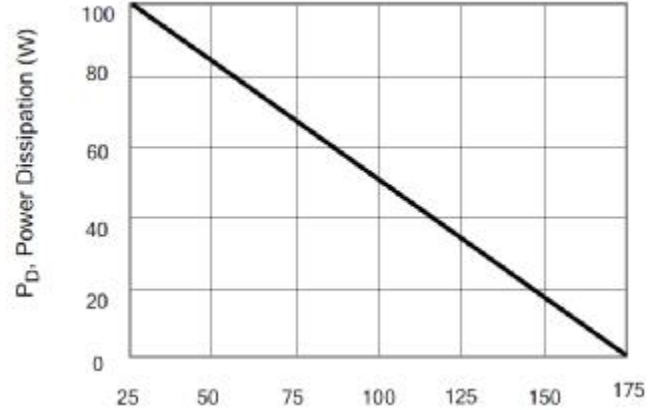


Figure 2 Maximum Power Dissipation vs Case Temperature

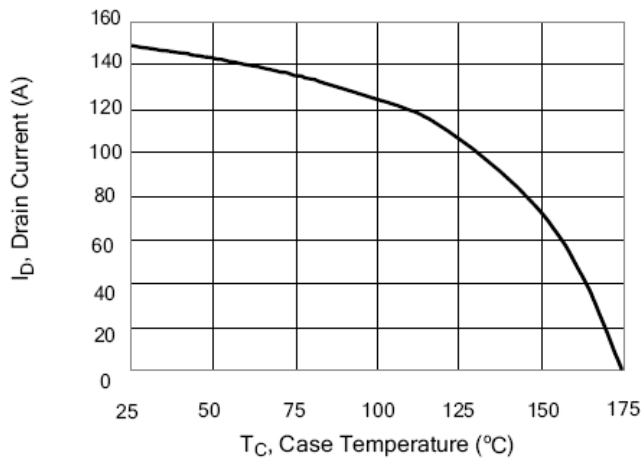


Figure 3 Maximum Continuous Drain Current vs Case Temperature

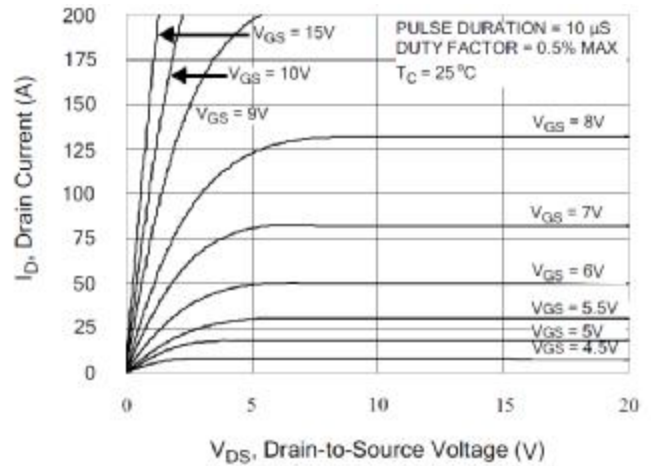


Figure 4 Typical Output Characteristics

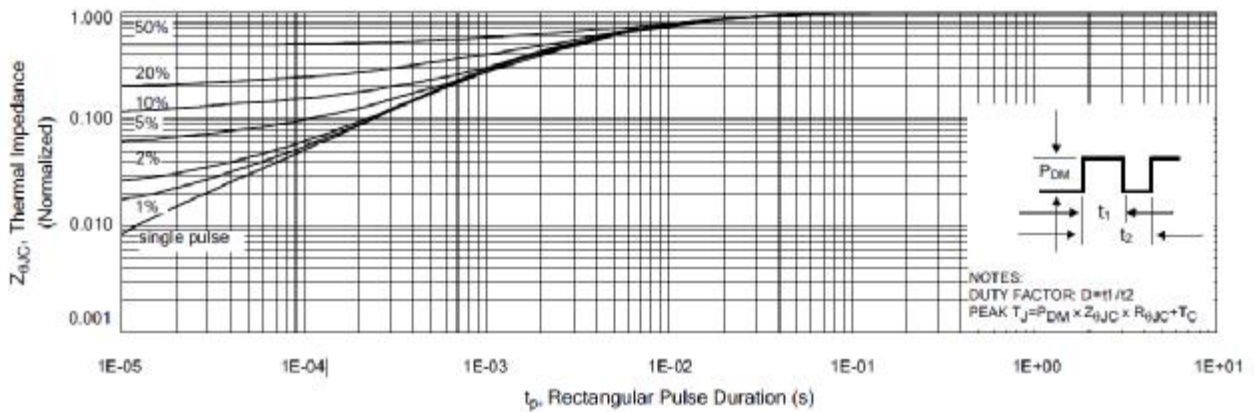


Figure 5 Maximum Effective Thermal Impedance, Junction to Case

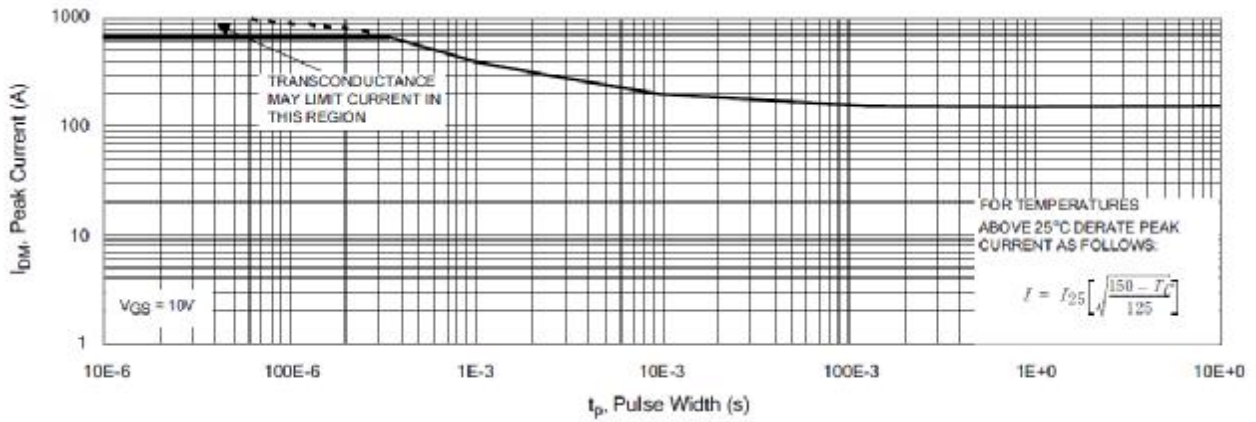


Figure 6 Maximum Peak Current Capability

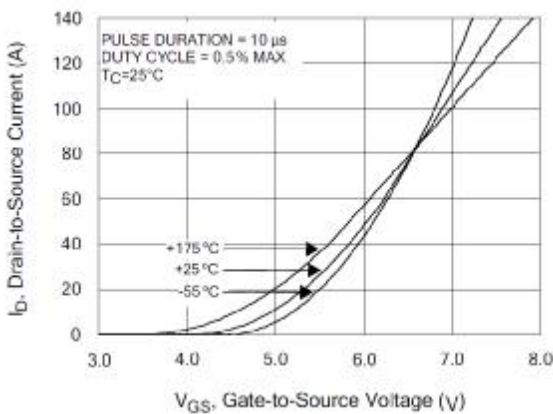


Figure 7 Typical Transfer Characteristics

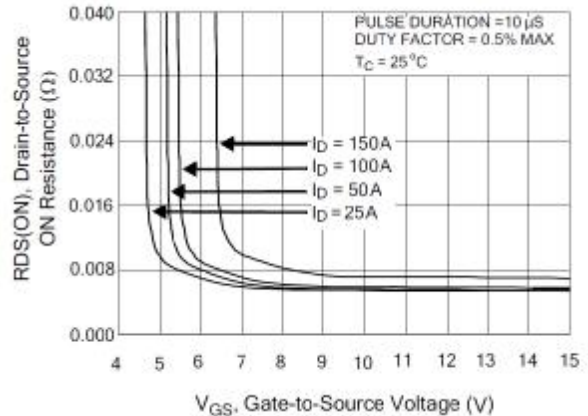


Figure 8 Typical Drain to Source ON Resistance vs Gate Voltage and Drain Current

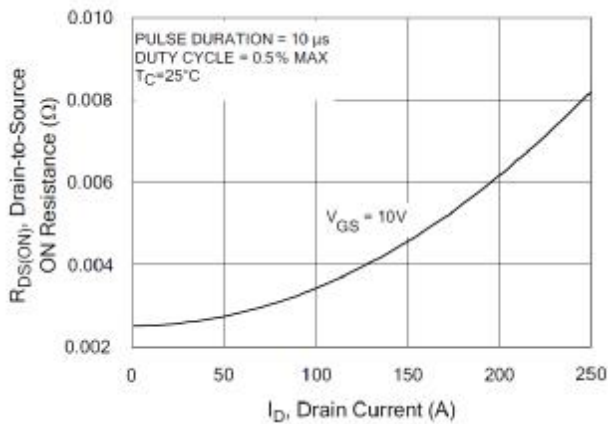


Figure 9 Typical Drain to Source ON Resistance vs Drain Current

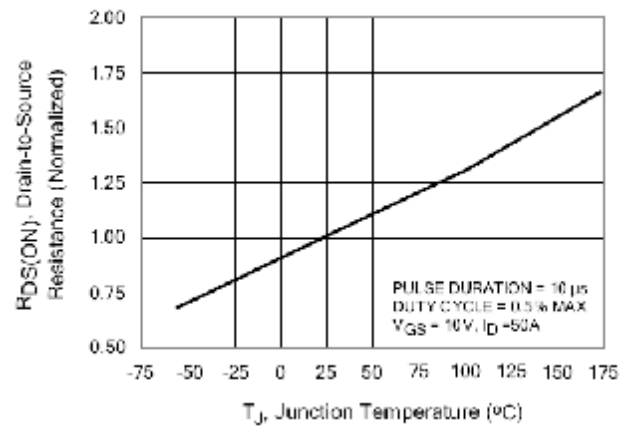
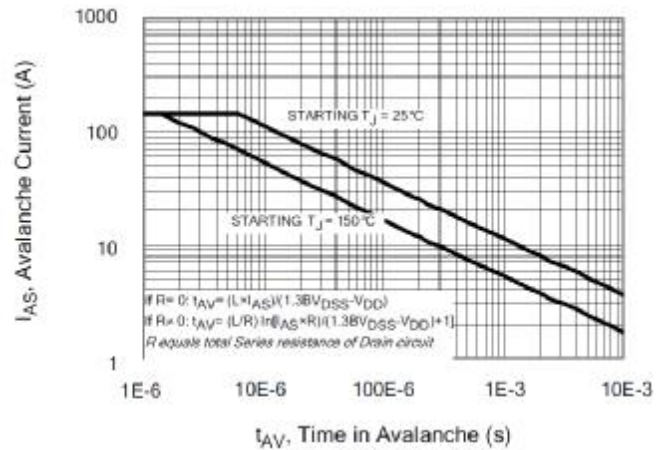
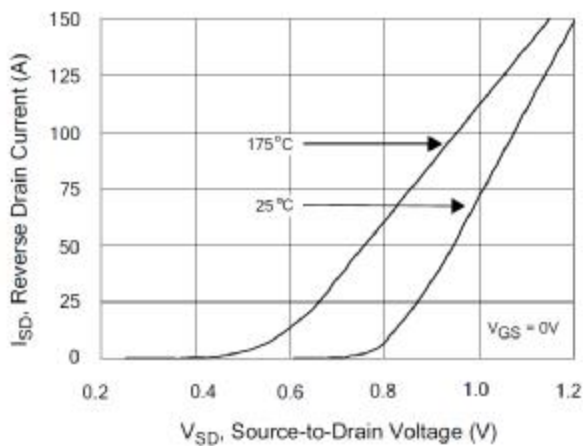
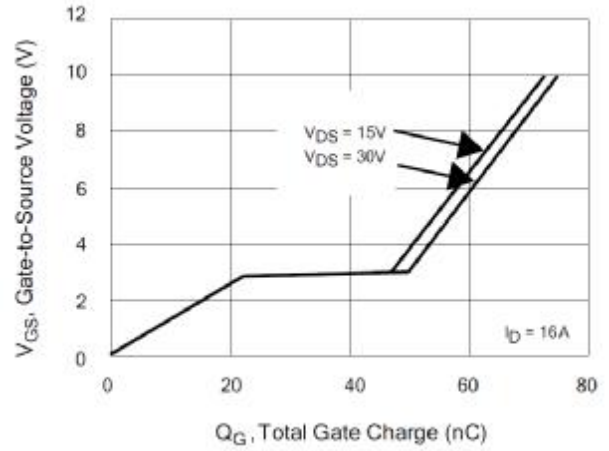
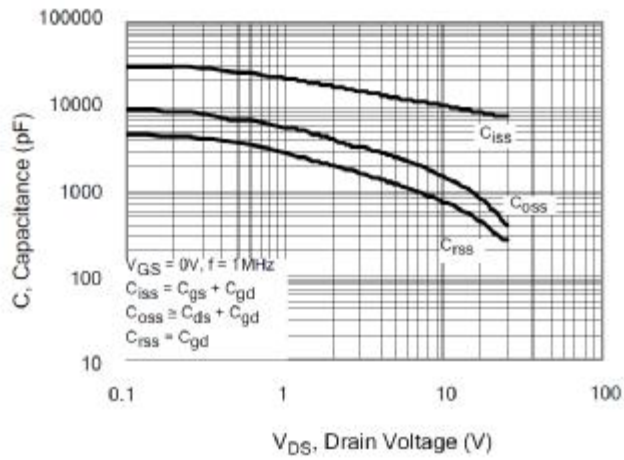
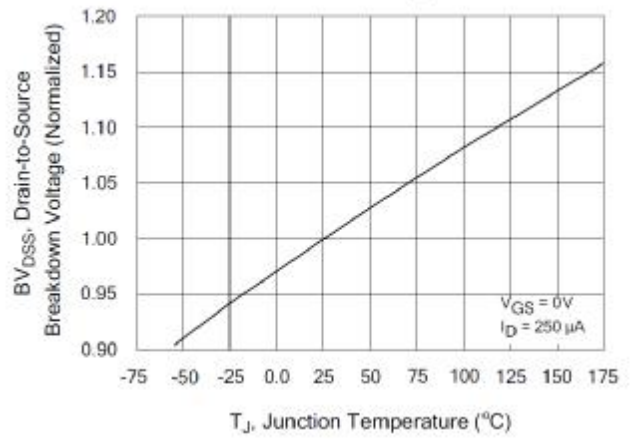
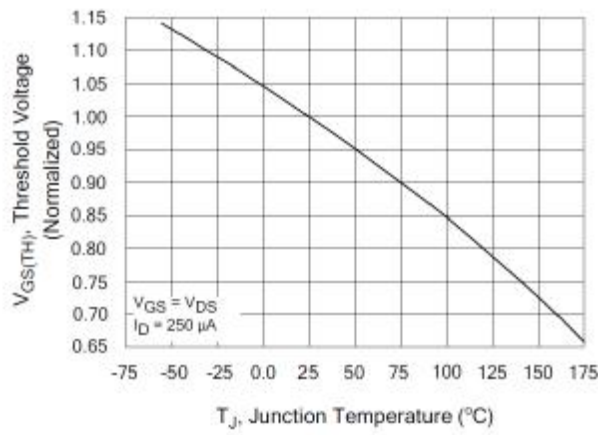


Figure 10 Typical Drain to Source on Resistance vs Junction Temperature



## Test Circuit and Waveform

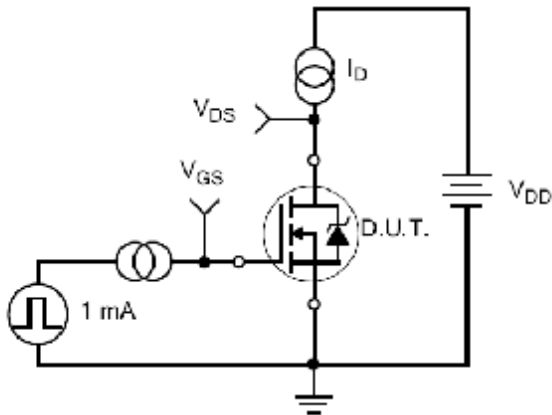


Figure 17. Gate Charge Test Circuit

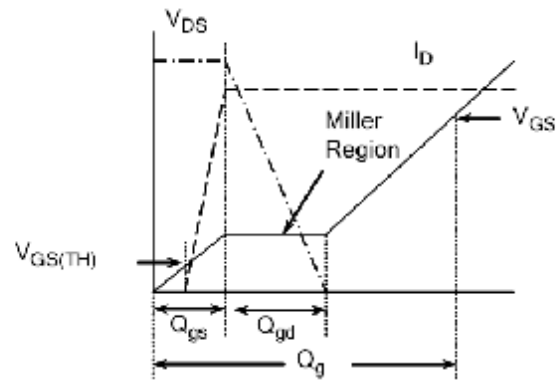


Figure 18. Gate Charge Waveform

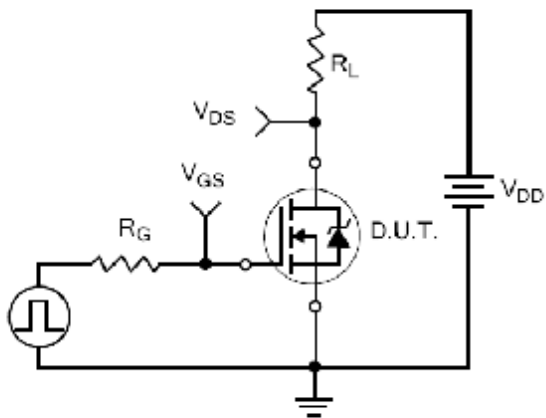


Figure 19. Resistive Switching Test Circuit

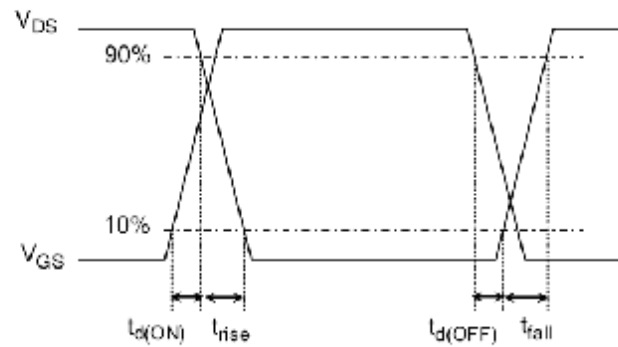


Figure 20. Resistive Switching Waveforms

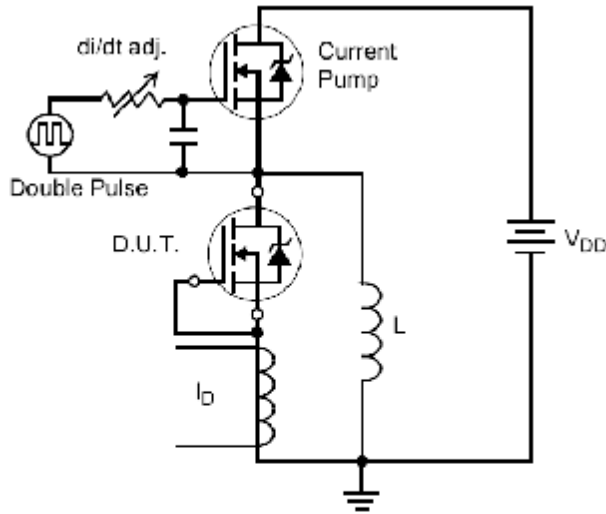


Figure 21. Diode Reverse Recovery Test Circuit

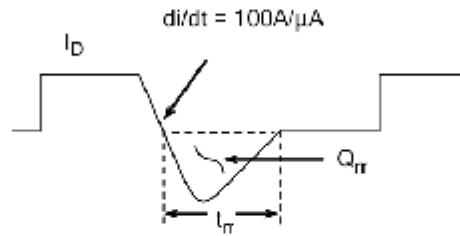


Figure 22. Diode Reverse Recovery Waveform

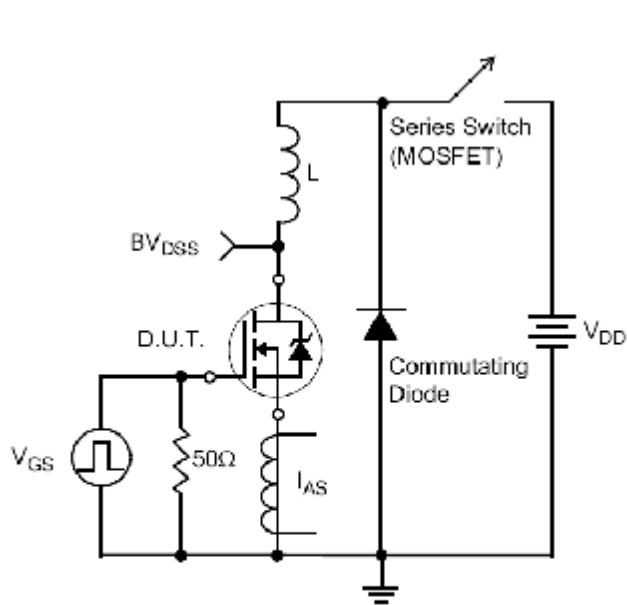


Figure 23. Unclamped Inductive Switching Test Circuit

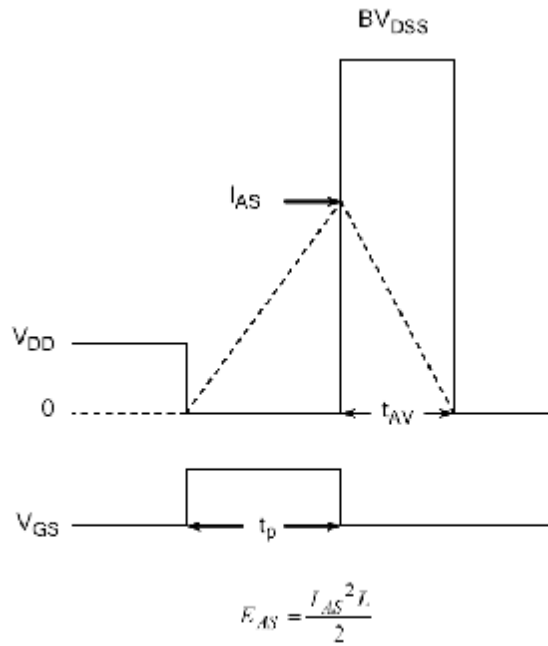
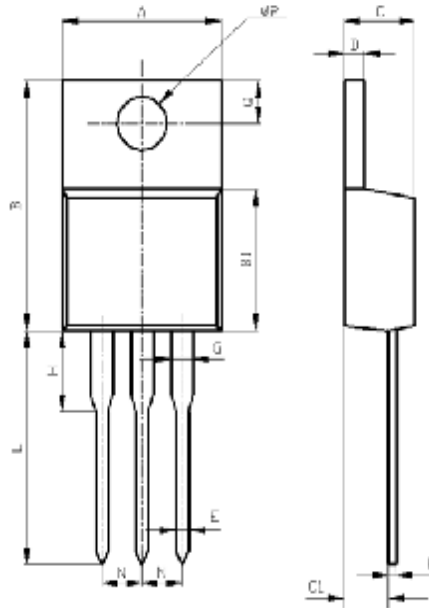


Figure 24. Unclamped Inductive Switching Waveforms



## Package Information



Items	Values(mm)	
	MIN	MAX
A	10.00	10.60
B	15.0	16.0
B1	8.90	9.50
C	4.30	4.80
C1	2.30	3.10
D	1.20	1.40
E	0.70	0.90
F	0.30	0.60
G	1.17	1.37
H	3.30	3.80
L	6.40	7.50
	6.70	7.90
	7.20	8.00
	7.50	8.60
	12.7	14.7
N	2.34	2.74
Q	2.40	3.00
φ P	3.50	3.90

TO-220AB Package

**The name and content of poisonous and harmful material in products**

Part's Name	Hazardous Substance					
	Pb	Hg	Cd	Cr(VI)	PBB	PBDE
Limit	≤0.1%	≤0.1%	≤0.01%	≤0.1%	≤0.1%	≤0.1%
Lead Frame	○	○	○	○	○	○
Molding Compound	○	○	○	○	○	○
Chip	○	○	○	○	○	○
Wire Bonding	○	○	○	○	○	○
Solder	×	○	○	○	○	○
Note	○: means the hazardous material is under the criterion of SJ/T11363-2006. ×: means the hazardous material exceeds the criterion of SJ/T11363-2006. The plumbum element of solder exist in products presently, but within the allowed range of Eurogroup's RoHS.					

**Warnings**

1. Exceeding the maximum ratings of the device in performance may cause damage to the device, even the permanent failure, which may affect the dependability of the machine. It is suggested to be used under 80 percent of the maximum ratings of the device.
2. When installing the heatsink, please pay attention to the torsional moment and the smoothness of the heatsink.
3. VDMOSFETs is the device which is sensitive to the static electricity, it is necessary to protect the device from being damaged by the static electricity when using it.
4. This publication is made by Huajing Microelectronics and subject to regular change without notice.

**WUXI CHINA RESOURCES HUAJING MICROELECTRONICS CO., LTD.**

Add: No.14 Liangxi RD. Wuxi, Jiangsu, China      Mail: 214061      <http://www.crhj.com.cn>  
Tel: 0510-85807228      Fax: 0510-85800864

Marketing Part:      Post: 214061      Tel / Fax: 0510-85807228-3663/5508  
E-mail: [sales@crhj.com.cn](mailto:sales@crhj.com.cn)      0510-85800360 (Fax)

Application and Service: Post: 214061      Tel / Fax: 0510-85807228-3399 / 2227  
E-mail: [apply@crhj.com.cn](mailto:apply@crhj.com.cn)